

# TECH DENT



**GALIT**

---

NO STRESS

**NO STRESS** – an ergonomic and practical solution for your dental practice



For more than 20 years, our vector at GALIT has remained unchanged – to supply the best dental equipment and innovative solutions to professional dentists not only in Ukraine, but also throughout the world.

Our focus on exemplary service builds loyal, long-term relationships with our clients. More than 5,000 dentists have already convinced themselves of the quality and reliability of our equipment. All this is possible thanks to the careful monitoring of the requirements of our customers, as well as the principles that are fundamental to GALIT.

In our work, we are constantly guided by the following principles:

- quality - we work to the highest quality standards in everything we produce.
- trust – respect, honesty and sincerity guide our actions to do the right thing;
- care - our customers inspire us to act with commitment and passion;
- innovation – we optimize the latest technologies to achieve mastery in dentistry;
- partnership – we work with dental professionals and our partners to win TOGETHER;
- dedication - We work diligently and promptly to deliver exceptional results with the best customer service.

**GALIT – Making dentistry happen**

It remains for you to take care of the patients. We will take care of the rest.

A **unique concept** of combining autonomous dental equipment



## Concept NO STRESS

- Absolutely independent devices from connected air, vacuum, water and sewage networks. A comfortable patient chair, professional dental lighting will perfectly complement your work environment.
- The No stress concept, thought out to the last detail, does not require a lot of time for the re-planning and repair work of your premises. Suitable for use immediately after purchase. Just plug in and work.
- Save on repair work and laying service lines, invest in equipment.
- You can choose between two mobile assistant consoles Mobi Suc Easy&Mobi Suc Combi.
- The concept of autonomous devices is ideal for retrofitting an existing clinic, as well as for an office with not large area.
- Meets the highest standards of safety and hygiene according to European norms. Modern bactericidal HEPA filters provide ultra fine air purification, trapping micro particles up to 0.3 microns in size.
- No pipes for laying service lines. Move mobile autonomous devices between offices in your dental practice when circumstances require.

Doctor mobile console  
**Gallant Cart Autonome**



6

Assistant mobile console unit  
**Mobi Suc Easy**



7

Use autonomous devices in the complex: Gallant Cart – doctor mobile console unit & Mobi Suc – assistant mobile console unit. No additional costs, only investments in the purchase of equipment.

## Patient chair EcoNext

- Left swivel, removable armrest
- Right swivel, replaceable armrest
- Magnetic pillow for a flat headrest
- Headrest with double articulation UNI
- Narrow chair back
- Rotation of the chair (+/- 30°) relative to the vertical
- Trendelenburg function (synchronous lifting of the legs by 15° when lowering the backrest of the chair by 90°)
- Additional three programs for the chair
- Replacing the chair upholstery with Soft Foam
- Special mat to protect the seat from damages

We thought not only about your ergonomics, but also about safety and comfort of the patient.



Upholstery Soft Foam



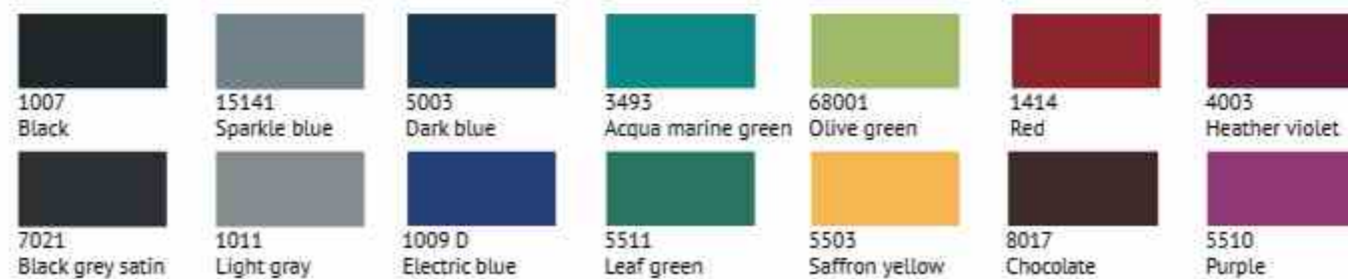
The chair can be equipped with a left and/or right armrest.



Function Trendelenburg (possibility of synchronous lifting the legs by 15° when lowering the back of the chair by 90°).



Chair control joystick.



## Patient chair 2009 Next

Constant research and know-how of the Tecnodent company allowed to develop unique seamless molded coverings for perfect hygiene of all surfaces of the chair. Made of flexible polyurethane, covered with synthetic leather, the cover is completely seamless for easy cleaning and disinfection. A wide range of artificial leather colors is the result of a careful analysis of needs of the most demanding customers.



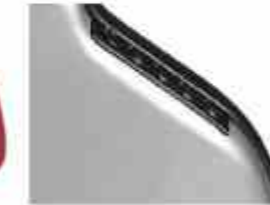
Right and/or left armrests (OPTIONAL) provide comfortable support during treatment.



Turning (OPTION). The rotation of the chair seat around the vertical axis is easily carried out with the help of a lever under the seat.



A narrow backrest designed to allow the doctor to get as close as possible to the patient during treatment.



Right or left backrest control buttons (OPTION). They help the doctor and/or assistant to position the patient more easily.



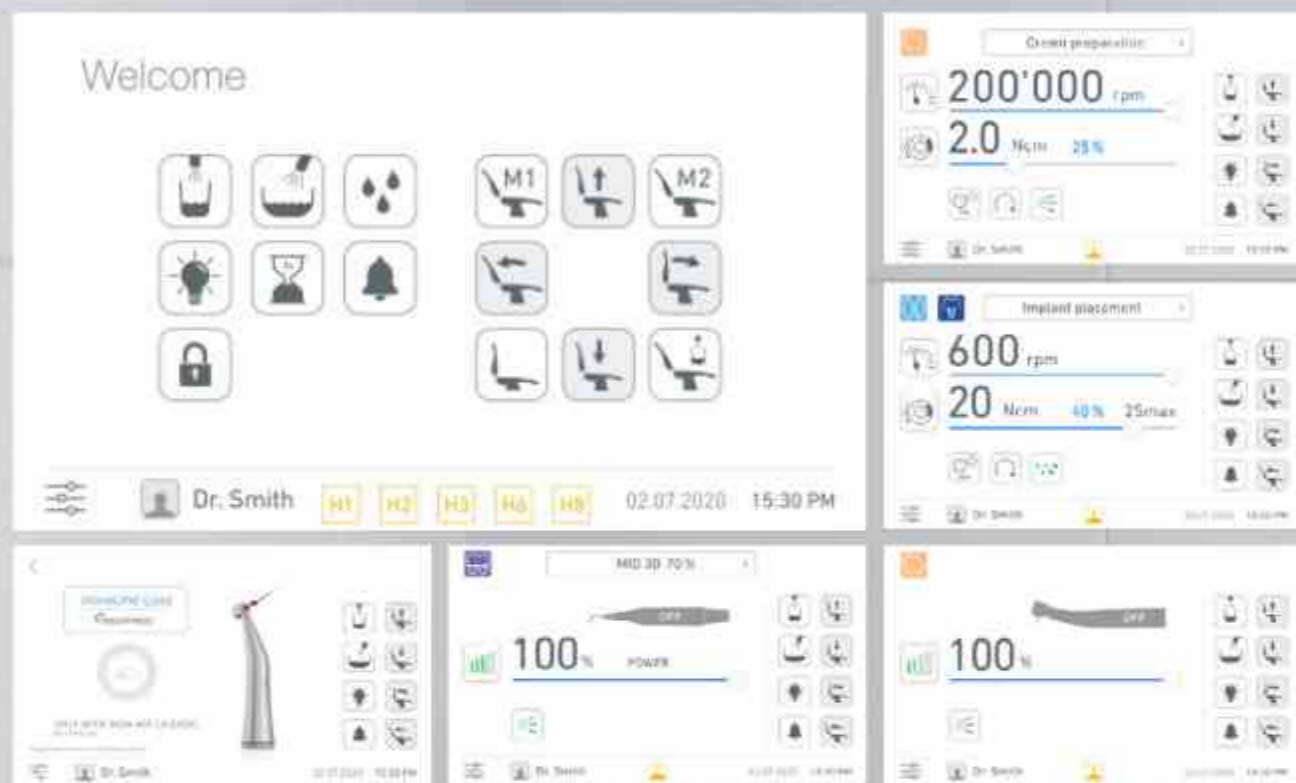
Large anatomical backrest (OPTION). It guarantees maximum comfort, enveloping the patient's back in pleasant relaxation.



# GALLANT CART AUTONOME

Touch display to control the doctor console unit

You have the option of choosing between two stand-alone Gallant Carts: a conventional control panel, a touch control display, with extensive instruments control functionality.



## 2.1 Specifications

Supply voltage	220 V / 50 Hz
Water supply network pressure	3-4 kg/cm <sup>2</sup>
Water consumption	Up to 10 l/min*
Compressed air network pressure	5,5-8 kg/cm <sup>2</sup>
Compressed air consumption	30-70 l/min*
Maximum current consumption	5A
Noise level when the compressor is on	52 Db
Average power consumption: doctor console	140 VA
in standby mode	20 VA
in operating mode	200 VA
Weight	62kg
Overall dimensions	755x615x875 mm

\*Note: depending on the dental unit configuration.

# GALLANT CART AUTONOME

Touch display to control the doctor console unit



Understandable interface.  
It is easy to control the  
doctor console unit  
instruments



Optimal weight of the  
instruments and flexibility of the  
hoses will ensure comfortable  
operation during the entire  
treatment process

## Main advantages

- built-in oil-free compressor/ built-in oil compressor;
- modern wheel frame for transportation;
- the wide functionality of the control panel allows the doctor to carry out treatment in the most comfortable conditions.

Easy access, quick and safe service  
by medical personnel and service  
workers.



# GALLANT CART AUTONOME

Control panel to control the doctor console unit

## 2.2 Specifications

Supply voltage	220 V / 50 Hz	
Water consumption	No more than 90 ml/min. from the distilled water system	
Compressed air network pressure	4,5-6 Bar	
Maximum current :	operating current	3 A
	starting current	4 A
Average power consumption:	doctor console	140 VA
	compressor DK 50	550 VA
	in standby mode	20 VA
	in operating mode	200 VA
Mode of operation:	compressor DK 50	continued - S1
Maximum power consumption	1100 VA	
Maximum load on the table for instruments	2 kg	
Noise level when the compressor is on, dB	52	
Weight	62 kg	
Overall dimensions	755x470x875 mm	

\*Note depending on the dental unit configuration.

Dry, clean air from the compressor with 0.1 micron filtration without bacteria, viruses, fungi meets European safety directives.



Autonomous devices work quietly enough, thereby protecting the nerves of doctors and patients.





## Mobile suction units Mobi Suc Easy & Mobi Suc Combi

Mobi Suc Easy & Mobi Suc Combi are designed to remove liquids or air from the patient's oral cavity during treatment procedures.

The main advantages:

- compact size of modules;
- mobility: due to the presence of a wheel frame, the suction unit is easy to move within the dental office;
- reduced noise level during operation;
- the device does not require any additional maintenance;
- excellent suction power is achieved in just a few seconds;
- maximum suction flow 1100 l/min.;
- special antistatic wheels with a brake for fixation;
- devices are completely autonomous - just plug in and work;
- bactericidal HEPA filter (H14) protects the air in the dental office from viruses and bacteria, filtering it up to 99.9%.

## Mobile suction units Mobi Suc Easy & Mobi Suc Combi

**The suction unit compact size and modern design will perfectly complement the interior of your dental office.**

For optimal use of the Mobi Suc suction, it is often placed in the 12 o'clock position. This placement is convenient for both the assistant and the dentist.

The surfaces of the suction units are smooth and suitable for disinfection.



Ergonomic handle for comfort movement



Hoses Dürr Comfort



The removable ceramic spittoon is autoclavable



Wheel frame with antistatic wheels

# MOBI SUC EASY

Mobile suction unit

## 2.3 Specifications

Power supply voltage	230 V
Maximum consumption	1100 l/min
Maximum rarefaction	12 kPa
Noise level	≤48 dB(A)
Weight	29 kg
Overall dimensions: Dürr Comfort	416x583x865 mm
Classic	416x602x865 mm



Hoses Dürr Comfort

Ergonomic handle for comfortable movement



Suction aggregate with control board

Container - separator for secretions 4.5 l



Bactericidal HEPA filter (H14) for air outlet

Wheel frame with antistatic wheels

# MOBI SUC COMBI

Mobile suction unit

## 2.4 Specifications

Power supply voltage	230 V
Maximum consumption	1100 l/min
Maximum rarefaction	12 kPa
Noise level	≤48 dB(A)
Weight	48 kg
Overall dimensions: Dürr Comfort	416x583x1015 mm
Classic	416x602x1015 mm



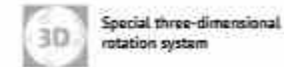


## Illumination

MAIA LED



EVA LED



Light temperature	5000 K	5000 K
Light flux strength	from 3000 to 35 000 LUX	from 3000 to 50 000 LUX
Shadowless effect	9*6 mm ellipse	10*6 mm ellipse

FARO dental lamps are:

- Optimally lit operating surface;
- Patented optical system FARO;
- Removable handles for sterilization;
- The new electronic equipment of FARO lamps ensures compatibility with video recording systems and diagnostic instruments.

## Foot controls to control the instruments



Multi-functional foot control:

- ON/OFF of dental instruments;
- ON/OFF of spray and blowing for dental instruments;
- Adjustment of speed/power of the dental instruments.



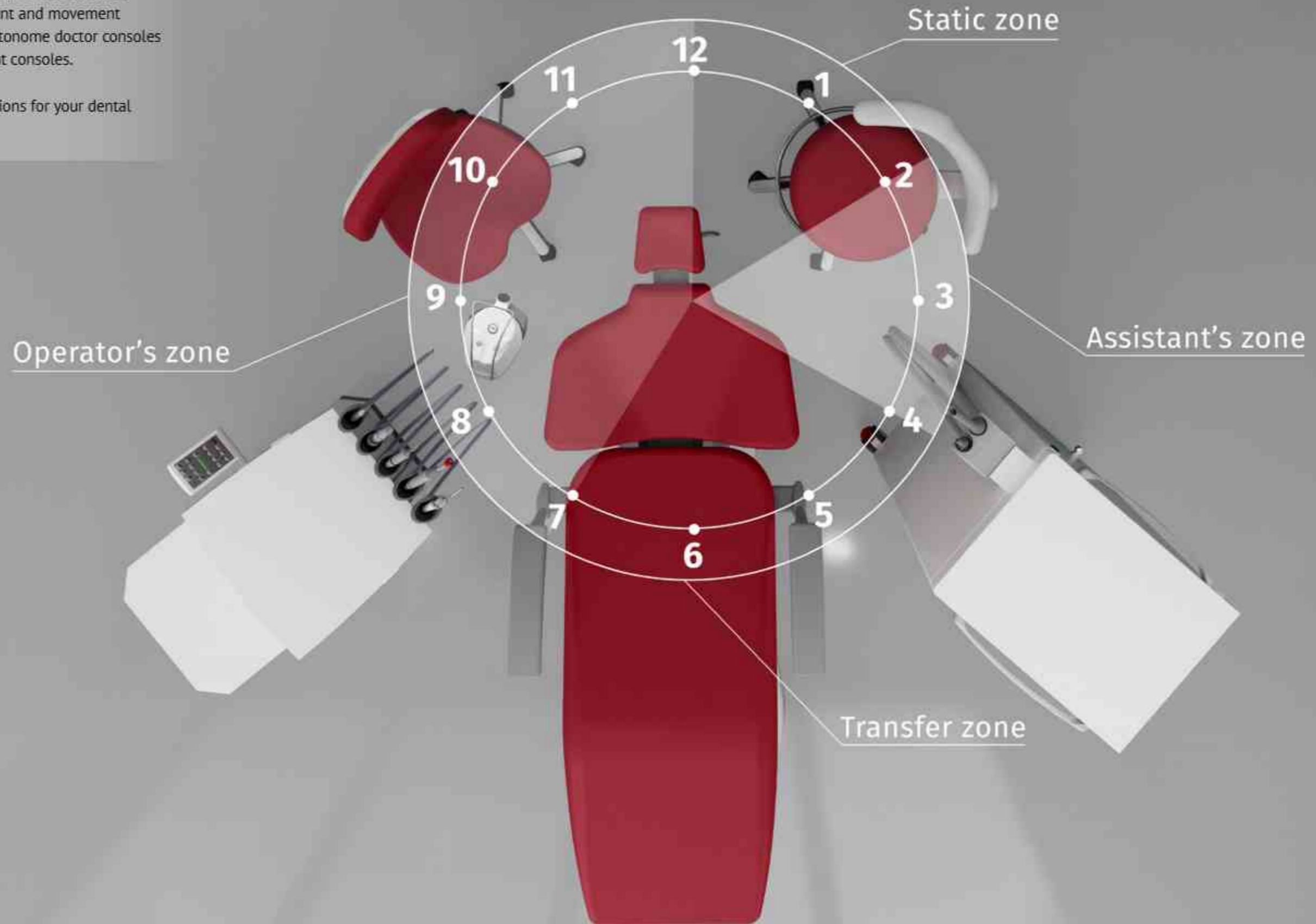
Wireless multi-function foot control:

- ON/OFF of dental instruments;
- ON/OFF of spray and blowing for dental instruments;
- Adjustment of speed/power of the dental instruments.

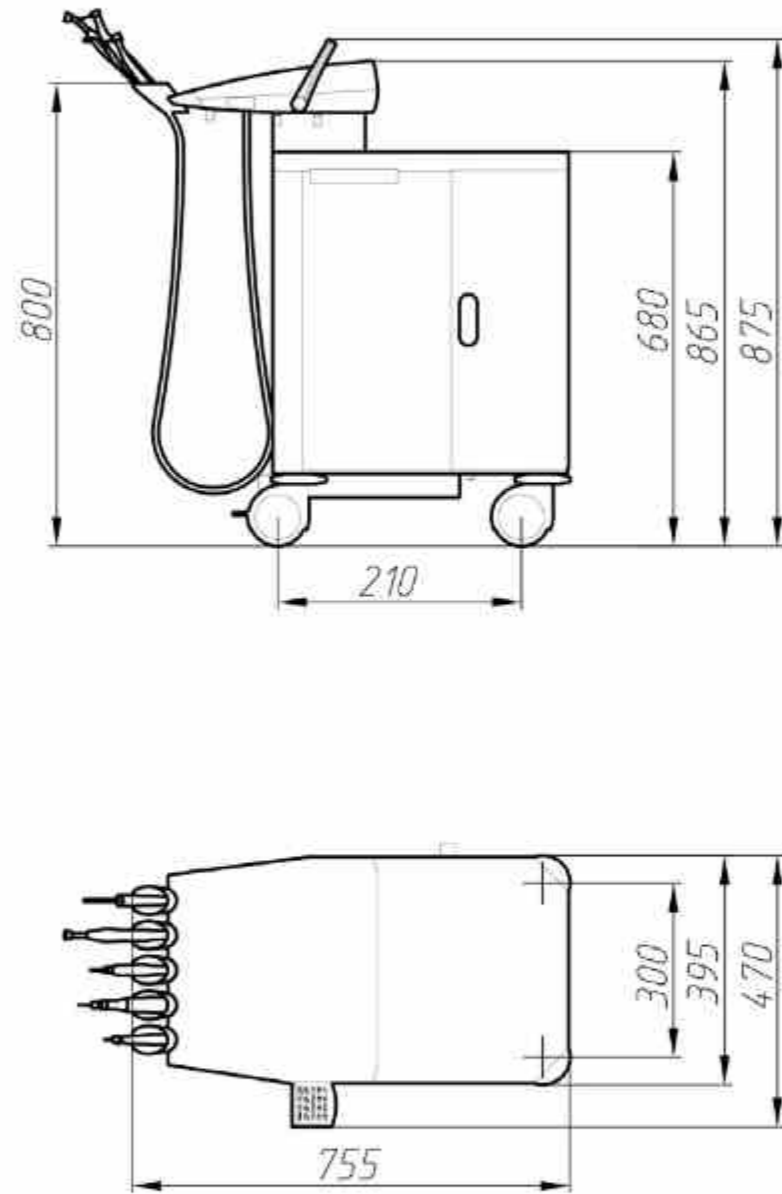
## Working areas of the dentist and assistant

The No Stress concept provides the most ergonomic arrangement and movement of the Gallant Cart Autonome doctor consoles and Mobi Suc assistant consoles.

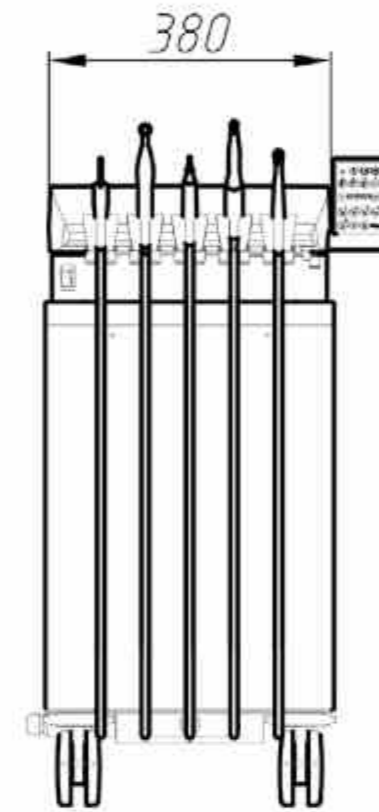
Choose the best solutions for your dental practice.



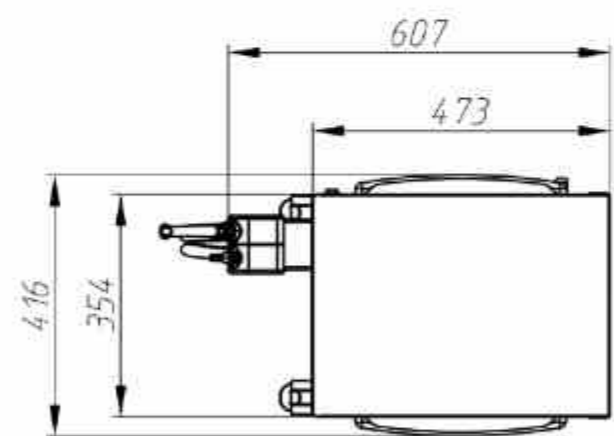
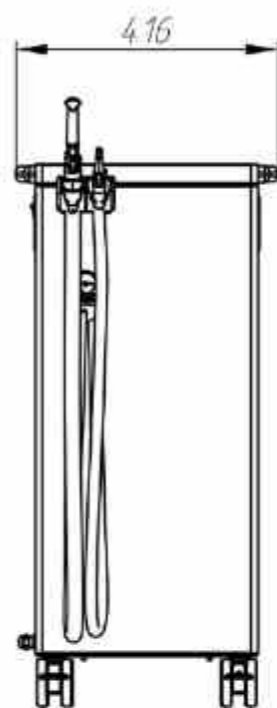
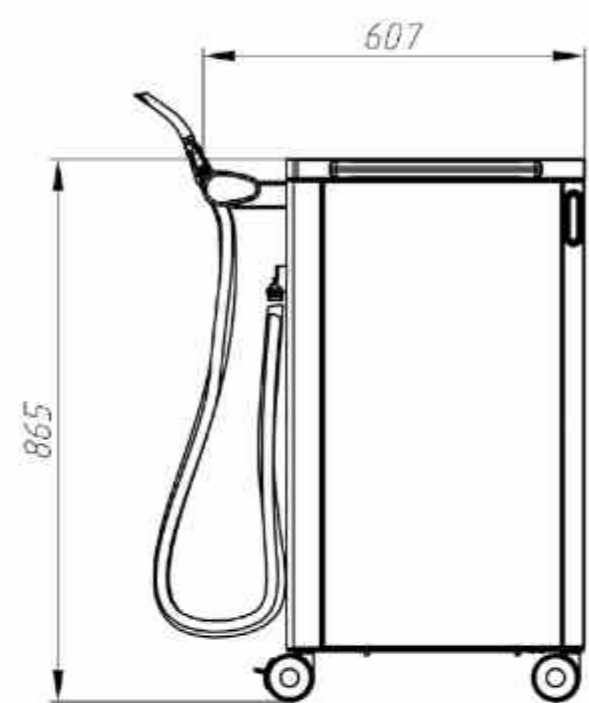
## Dental unit GALLANT CART AUTONOME



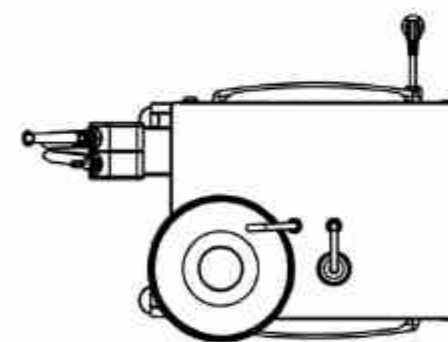
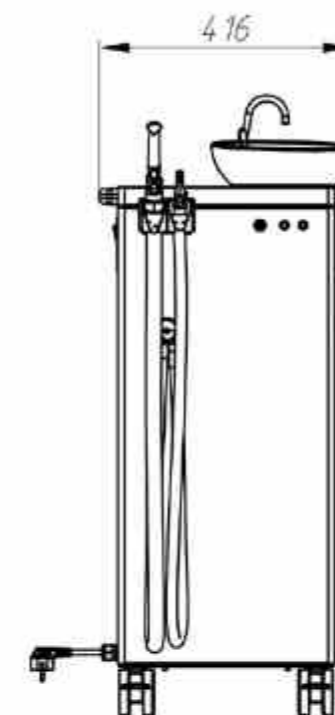
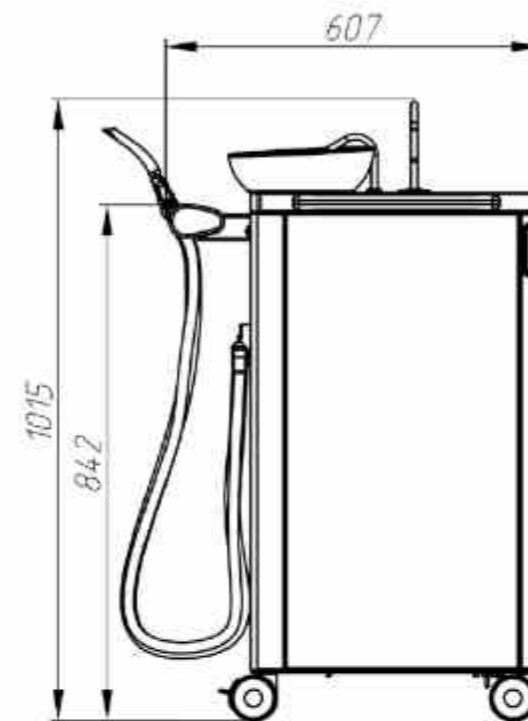
## Dental unit GALLANT CART AUTONOME



### Mobile suction unit MOBI SUC EASY



### Mobile suction unit MOBI SUC COMBI





**GALIT**



Calle Almansa, 22  
03206 Elche (Alicante)

Telf: **966 61 12 12**

E-mail: **info@techdent.es**

web: **techdent.es**

