



Dental unit
GALLANT OMNIPRATIQUE



TECH DENT



For more than 20 years, our vector at **GALIT** has remained unchanged – to supply the best dental equipment and innovative solutions to professional dentists not only in Ukraine but all over the world.

Our focus on exemplary service forms a loyal long-term relationship with our customers. Thousands dentists have already been convinced of the quality and reliability of our equipment. All this is possible due to careful monitoring of requirements of our customers, as well as the principles that are fundamental to **GALIT**.

In our work we are constantly guided by the following values:

- **quality** – we work to the highest quality standards in everything we produce.
- **trust** – respect, honesty and sincerity guide our actions to do the right thing;
- **care** – our clients inspire us to act faithfully and passionately;
- **innovations** – we optimize the latest technologies to achieve mastery in dentistry;
- **partnership** – we work with professional dentists and our partners to win TOGETHER;
- **commitment** – we work diligently and promptly to ensure exceptional results with the best customer service.

GALIT – Making dentistry happen



Reliability and Comfort that are time-tested

- The Gallant Omnipratique dental unit is our bestseller.
- More than 4 000 leading clinics in Ukraine and around the world have chosen Gallant Omnipratique for their daily work.
- We have created an ergonomic and functional dental unit with a perfect design, because every part, every process is important to us, not just the end result.
- Carefully selected components of your Gallant Omnipratique are combined with each other for high-performance work and perfect results.
- We offer for you:
 - Componentry from leading European manufacturers with warranty;
 - Cuspidor unit can be adapted for use on-floor or integrated as a hanging unit, within the system;
 - Unique menu of options to meet your dental requirements;
 - Ability to choose up to 10 dental instruments for reliable and effective treatment;
 - Movements of the assistant console in horizontal and vertical planes;
 - Dental patient chairs designed for ultimate comfort with a number of options to choose from;
 - Ease of maintenance, easy access for medical staff and service personnel.



**GALLANT
OMNIPRATIQUE** provides:

- Ergonomics and functionality;
- Caring for your patients;
- Maximum safety and effectiveness of all therapeutic procedures;
- Effective interaction of doctor with assistant.

The options for chair that will make Your GALLANT OMNIPRATIQUE even more functional:

- left swivel, removable armrest;
- right swivel, removable armrest;
- trendelenburg function (synchronous raising of legs by 15 ° when lowering the back of the chair by 90 °);
- three additional programs for the chair;
- replacement of the chair upholstery with Soft Foam;
- special mat to protect the seat from damage.

Convenient positioning of patient with STING chair



Upholstery Soft Foam



The chair can be equipped with a left and / or right armrest. For more comfortable access of the patient to a chair.



Trendelenburg function (possibility of synchronous raising of legs on 15 ° at lowering a backrest of the chair on 90 °). With this positioning of the chair, proper blood circulation during treatment is ensured.



Chair control joystick. The high-precision joystick controls the chair in a simple and efficient way without any use of hands.



Elle Bianco



Elle E C95 Bianco



Elle E C2002 Bianco



Light Bianco



Uni Bianco

1007 Graphite black	5011 Steel blue	14966 Pine green	8017 Chocolate brown
7021 Dark grey satin	5003 Sapphire blue	5515 Yellow green	8017 UM33 Mahogany brown
7502 Basalt grey	1009 D Ultramarine blue	68001 Olive green	14766 Wine red
21366 Platinum	5023 Distant blue	5503 Saffron yellow	4003 Claret violet
15141 Squirrel grey	3491 Light blue	7791 Salmon orange	5510 Traffic purple
1011 Traffic grey A	3493 Turquoise blue	5017 Strawberry red	3492 Red lilac
3494 Silk grey	5511 Patina green	1414 Ruby red	6001 Grey beige



Chair STING
perfect addition
GALLANT OMNIPRATIQUE:

- The chair is designed to provide comfort for patient and allows the dental team to work in the most ergonomic conditions.



Minimizes dentist fatigue during long-term treatment

Dentist console of Your GALLANT OMNIPRATIQUE

Can be equipped with necessary instruments located in the place where you intuitively expect to find them.

Optimal instruments weight and hose flexibility will ensure comfortable operation throughout the whole treatment process and also, by reducing the strain on the wrist, minimize fatigue during long-term treatment.

With GALLANT OMNIPRATIQUE everything you need is at your fingertips.



Dentist console with upper delivery of instruments provides:

- individually selected 5 instruments;
- lightweight construction;
- fixation in the right place with a pneumatic brake;
- control panels to control instruments and patient chair.



Dentist console with lower delivery of instruments provides:

- individually selected 5 instruments;
- lightweight construction;
- control panels to control instruments and patient chair;
- adjustment of angle of inclination of instruments;
- convenient adjustment of water amount for instruments cooling.

Assistant console of your GALLANT OMNIPRATIQUE:

- effective interaction between dentist and assistant;
- a key factor in quality treatment.

Synergy of teamwork with Omnipratique



2 instruments



3 instruments



4 instruments



Assistant console for 5 instruments

A trusted hygiene system

Easy access (cover with clamps), fast and safe service by dental staff and service technician.



Ceramic cuspidor - resistant to disinfection

Easy rotation of the cuspidor by 180° provides ergonomic and convenient access for assistant and optimal comfort for patient. It is equipped with flushing function and electronically controlled cup filling.



Distilled Water System

2 liter bottle of distilled water system. Design of the bottle minimizes risk of cross-contamination, and with a bayonet connection - filling the bottle has become even faster.



GALLANT OMNIPRATIQUE

Patient chair STING basic version (Tecnodent), including:

- fully electromechanical lifting and backrest movements;
- program for resetting to "0" position;
- program for spitting position;
- emergency stop on the base;
- emergency stop on the backrest;
- UNI double articulated headrest;
- wide backrest of the chair.

Dental Light
MAIA



Assistant console
Dürr Comfort



Cuspidor ceramic bowl of rotary
type with flushing function and
electronic control of cup filling



Dentist console with upper delivery
of hoses on pantograph arm with a
pneumatic brake, including:

- negatoscope;
- control panel to control chair and dental
unit with power adjustment of all dynamic
instruments and ENDO function;
- maximum for five instruments.



Hanging Cuspidor Unit

Distilled Water System, 2 liters

Multifunctional
wireless foot
control



Options

GALLANT OMNIPRATIQUE dental unit

Stationary cuspidor unit, including:

- Cuspidor ceramic bowl of rotary type with rinsing and cup filling electronic control
- Distilled water system 2 L (switchable with city water)

Dentist console type:

Modern design dentist console with upper /lower delivery of hoses, including:

- Electronic regulation of spray
- Rotary arm with pneumatic brake
- Control panel to control chair and unit operation, with adjustment of all dynamic instruments power
- Two hands for adjustment dentist console position

Standard design dentist console with upper/lower delivery of hoses

- Control panels to control chair and unit operation, with adjustment of all dynamic instruments power
- Negatoscope

Dentist console instruments:

- Pneumatic line without lighting
- Pneumatic line with lighting
- OPTIMA MX2 int. (40 programs) micromotor
- Second OPTIMA MX2 micromotor
- MX2 LED micromotor
- Second MX2 LED micromotor
- MCX LED (1000-40.000 rpm) micromotor
- Second MCX LED (1000-40.000 rpm) micromotor
- Xinet scaler without light with 3 tips
- FS-433 E-1 Piezon built-in kit (EMS)
- FS-367 Kit Piezon LED No Pain (EMS)
- Newtron F55235 Scaler with LED with 3 tips
- Mini LED curing lamp for incorporation
- MINIMATE 3 way syringe
- MC3FP (MYTRONIC) 3 way syringe
- DCI 3 way syringe

Additional options for dentist console:

- Big table with silicone mat
- Heater for water for dental instruments
- Flushing function for hoses of doctor instruments and electronic spray adjustment function

Foot control:

- Pneumatic foot control
- Multifunctional foot control FARO
- Multifunctional foot control FARO wireless

Separation system options:

- CAS1 separator Dürr Dental
- CS1 separator Dürr Dental
- Cattani separator

- Cattani with selective valve separator

- Cuspidor valve Dürr Dental

Patient chair type

ECO NEXT patient chair (Tecnodent), including:

- completely electromechanical lifting and movements of backrest
- program to reset to "0" position
- foot control on chair base
- safety stop on base
- safety stop on backrest
- wide backrest of chair
- UNI headrest

ECO NEXT patient chair options:

- Left rotary detachable armrest
- Right rotary detachable armrest
- Magnetic pillow for flat headrest
- Trendelenburg Function (simultaneous lifting of legs by 15 degrees while lowering chair backrest by 90 degrees)
- Replacing the armchair upholstery on SOFT FORM
- Additional three programs for chair
- Seat matt
- Narrow backrest of chair (only for ECO NEXT)

STING patient chair (Tecnodent), including:

- completely electromechanical lifting and backrest movements
- program to reset to "0" position
- foot control on chair base
- safety stop on base
- safety stop on backrest
- UNI headrest
- wide backrest of chair

STING patient chair options:

- Left rotary detachable armrest
- Right rotary detachable armrest
- Trendelenburg Function (simultaneous lifting of legs by 15 degrees while lowering chair backrest by 90 degrees)
- Replacing the armchair upholstery on SOFT FORM
- Additional three programs for chair
- Seat matt

2009NEXT patient chair (Tecnodent), including:

- dental chair equipped with completely electromechanical lifting and backrest tilt, securities on base, pantograph and backrest, motor cover with integrated compact utility-box, low voltage (5V) joystick controls, footrest plastic protection, complete packing
- standard Ral color painting 9003
- large backrest type «a cucchiaio»
- multi-articul, headrest type «UNI TAPPEZZATO».

2009NEXT patient chair options:

- Left rotary detachable armrest
- Right rotary detachable armrest
- Magnetic pillow for flat headrest

- Replacing the armchair upholstery on SOFT FORM

- Additional three programs for chair

- Seat matt

LINDA NEXT patient chair (Tecnodent), including:

- power supply 230V
- standard Ral 9003
- seamless moulded upholstery
- joystick control
- synchronized legrest movement; anti-crushing securities
- automatic extensible PU foot section
- 3 motors - 5 presetted programs + 9 programmable positions
- UNI headrest

LINDA NEXT patient chair options:

- Left rotary detachable armrest
- Right rotary detachable armrest
- Magnetic pillow for flat headrest
- Replacing the armchair upholstery on SOFT FORM
- Seat matt

Assistant console options:

- assistant console DÜRR DENTAL with control panel, big and small suction hoses

Assistant console instruments:

- DCI 3 way syringe
- MINIMATE 3 way syringe
- Mini LED curing lamp for incorporation

Dental light options:

- FARO MAIA dental LED light
- FARO ALYA dental LED light
- FARO EVA dental LED light

Options for cuspidor unit:

- Monitor attachment rotory arm
- Napkin holder
- Water heater for cuspidor cup filler
- On-floor plate for attachment of dental unit and chair
- Exclude cuspidor bowl

For safety and comfort:

- Central valve of air shutdown
- Central valve of water shutdown
- Soda separator GF 1 for CS 1 DÜRR DENTAL
- Device for flushing Vario DÜRR DENTAL

For safety and comfort:

- Communication supply system under the chair
- Communication supply system under the cuspidor unit (only for stationary dental unit)
- Communication supply system near the dental unit (including distribution box)



Dental light

Lights
FARO

ALYA LED

MAIA LED

EVA LED



Temperature of light	5000 K	5000 K	5000 K
Luminous flux	from 3 000 to 50 000 LUX	from 3 000 to 35 000 LUX	from 3 000 to 50 000 LUX
Scialytic effect	6*3 mm ellipse	9*6 mm ellipse	10*6 mm ellipse

Dental lights FARO provide:

- optimally illuminated work surface;
- patented FARO optical system;
- removable handles for sterilization;
- new electronic equipment of FARO lights ensures compatibility with video recording systems and diagnostic instruments.

Foot controls to control instruments



Multifunctional foot control:

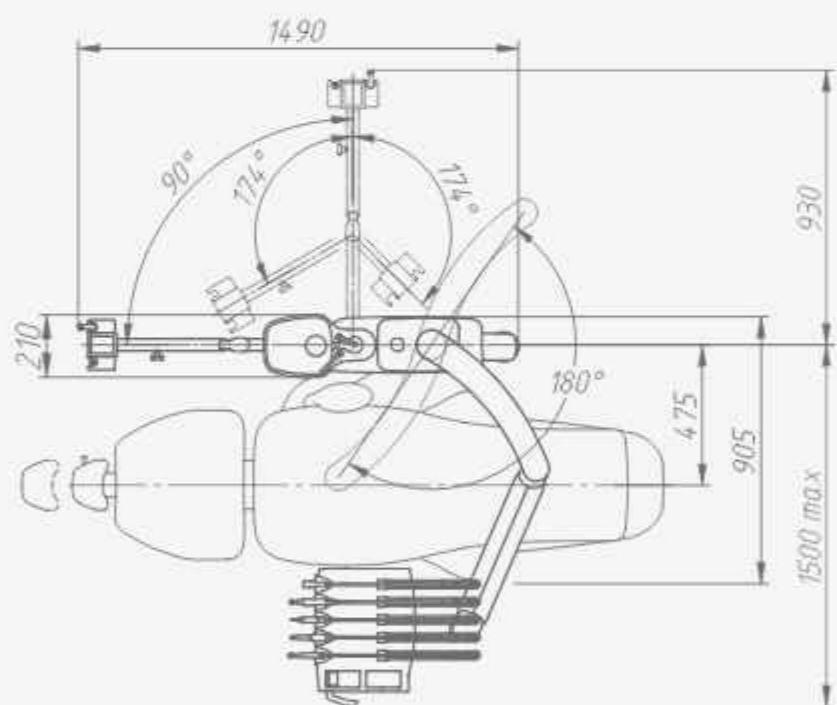
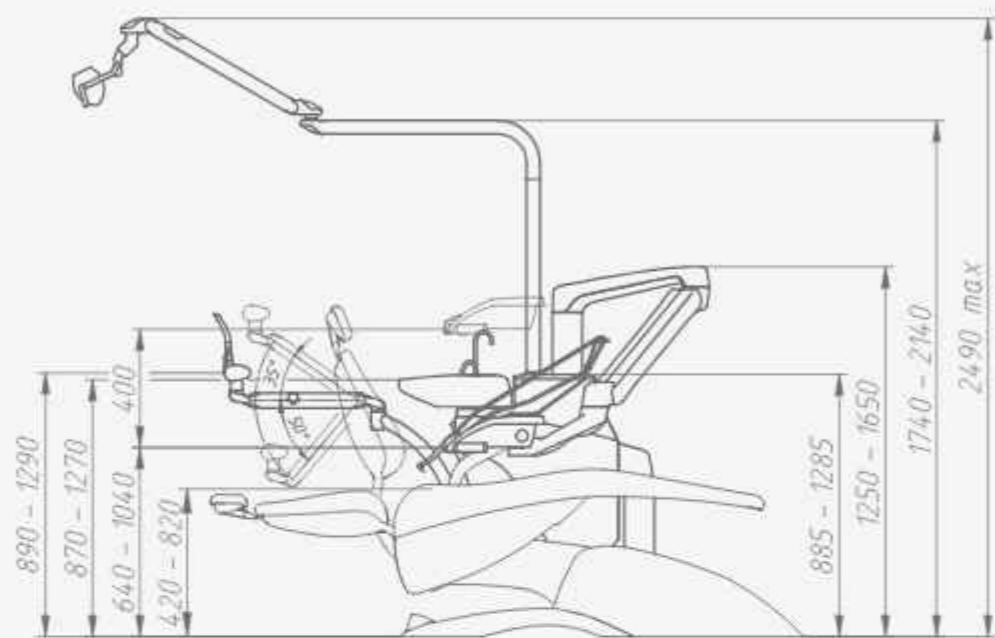
- dental instruments ON/OFF;
- ON/OFF of spray and blowing off for dental instruments;
- adjustment of dental instruments speed/power;
- ENDO – mode.



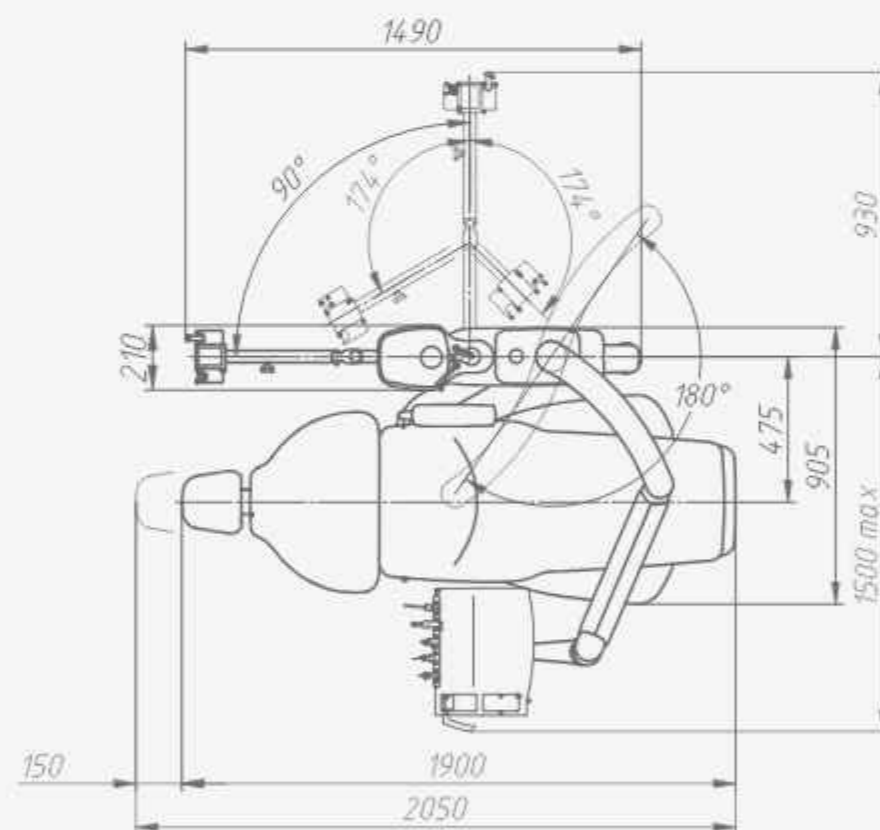
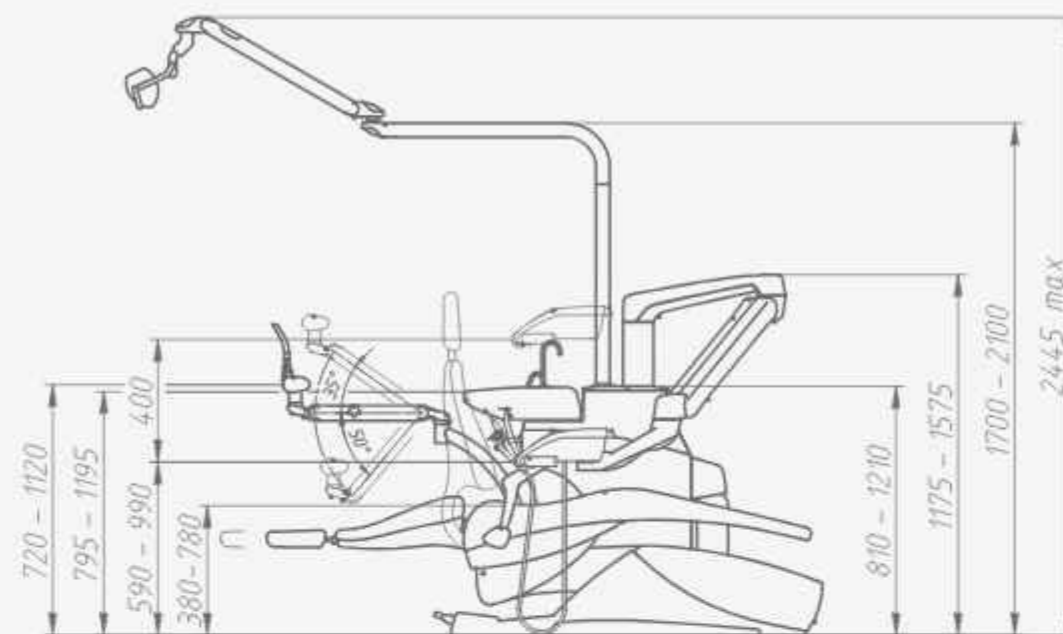
Pneumatic foot control DCI:

- dental instruments ON/OFF.

Overall Dimensions of Dental Unit



Overall dimensions of hanging dental unit GALLANT OMNIPRATIQUE with upper delivery of instruments and patient chair STING



Overall dimensions of hanging dental unit GALLANT OMNIPRATIQUE with lower delivery of instruments and patient chair ECO NEXT.



GALIT

Manufacturer

TECH DENT

The logo for Tech Dent features the company name in a stylized, outlined font. Below the text is a blue and white wavy graphic that resembles a ribbon or a stylized 'D'. To the right of the wavy graphic are three green circles of varying sizes, arranged in a cluster.

Calle Almansa, 22
03206 Elche (Alicante)
Telf: **966 61 12 12**
E-mail: **info@techdent.es**
web: **techdent.es**

