

GALIT

GALLANT PRO — professionalism
in every detail



TECH DENT



“I choose the dental unit
GALLANT PRO, because
this is – the CHOICE OF
PROFESSIONALS!”

For more than 20 years, our vector at **GALIT** has remained unchanged – to supply the best dental equipment and innovative solutions to professional dentists not only in Ukraine but all over the world.

Our focus on exemplary service forms a loyal long-term relationship with our customers. Thousands dentists have already been convinced of the quality and reliability of our equipment. All this is possible due to careful monitoring of requirements of our customers, as well as the principles that are fundamental to **GALIT**.

In our work we are constantly guided by the following values:

- **quality** – we work to the highest quality standards in everything we produce.
- **trust** – respect, honesty and sincerity guide our actions to do the right thing;
- **care** – our clients inspire us to act faithfully and passionately;
- **innovations** – we optimize the latest technologies to achieve mastery in dentistry;
- **partnership** – we work with professional dentists and our partners to win TOGETHER;
- **commitment** – we work diligently and promptly to ensure exceptional results with the best customer service.

GALIT – Making dentistry happen



GALLANT PRO – FOR PROFESSIONALS IN DENTISTRY

The dental unit Gallant Pro is our premium model designed for dentists who demand higher standards of the quality of equipment.

The main advantages of GALLANT PRO:

- Massive, stable design for mounting additional equipment. You can easily place a microscope, X-ray, monitor for easy operation;
- Exquisite Italian design;
- Components from leading European manufacturers with warranty service;
- Compact cuspidor unit for optimal use of working space;
- Possibility to choose a floor or suspended cuspidor unit;
- Long arm of the lamp for convenience in carrying out therapeutic procedures;
- Mechanical pantograph of the physician's unit with pneumatic fixation.

Gallant Pro – a reliable partner for your dental practice!



GALLANT PRO – the choice of professionals

- Each individual unit of the dental unit undergoes a rigorous quality inspection at each stage of production.
- The quality management system ISO 13485-2016, implemented at the enterprise, is a confirmation that our equipment is certified and meets all the requirements of the international market.
- Make sure that GALLANT PRO – a standard of reliability and quality for your dental clinic.

Patient chair Eco Next (Tecnodent) includes:

- left swivel, removable armrest;
- right swivel replaceable armrest;
- magnetic pillow for flat headrest;
- headrest with double articulation UNI;
- narrow backrest of the chair;
- rotation of the chair (+/-30°) relative to the vertical.
- trendelenburg function (synchronous raising of legs on 15° at lowering of a chair backrest on 90°);
- three additional programs for the chair;
- replacement of a chair upholstery on Soft Foam;
- a special mat to protect the seat from damage.

Convenient positioning of a patient with the chair Eco Next



Ongoing researches and know-how from Tecnodent have made it possible to develop unique seamless molded upholstery for perfect hygiene of all chair surfaces.

The upholstery, made of flexible polyurethane, covered with artificial leather is completely seamless for easy cleaning and disinfection.

A wide range of colors of artificial leather is the result of a careful analysis of the needs of our most demanding customers.



Upholstery Soft Foam



The patient chair can be equipped with a left and/or right armrest. For more comfortable access of the patient to a chair.



Trendelenburg function (possibility of synchronous raising of legs on 15° at lowering of a chair back on 90°). At such positioning of a patient chair of the correct blood circulation during treatment is provided.



Joystick of patient chair control. The high-precision joystick controls the chair in a simple and efficient way without the use of hands.



Elle Bianco



Elle E C95 Bianco



Elle E C2002 Bianco



Light Bianco



Uni Bianco

| | | | |
|-----------------------|-------------------------|---------------------------|--------------------------|
| | | | |
| 1007 Graphite black | 5011 Steel blue | 14966 Pine green | 8017 Chocolate |
| | | | |
| 7021 Black grey satin | 5003 Sapphire blue | 5515 Yellow green | 8017 UM33 Mahogany brown |
| | | | |
| 7502 Basalt grey | 1009 D Ultramarine blue | 68001 Green olive | 14766 Wine red |
| | | | |
| 21366 Platinum satin | 5023 Remote blue | 5503 Saffron-yellow olive | 4003 Burgundy-purple |
| | | | |
| 15141 Blue-grey | 3491 Blue | 7791 Salmon-orange olive | 5510 Traffic blue |
| | | | |
| 1011 Traffic grey A | 3493 Turquoise blue | 5017 Strawberry-red | 3492 Red lilac |
| | | | |
| 3494 Grey silk | 5511 Patino green | 1414 Ruby-red | 6001 Grey-beige |



Ergonomic design of the chair perfectly repeats the contours of the patient's body in different positions

(The image illustrates the patient chair LINDA 3)



A wide range of movements of the dentist's console allows you to work in the most comfortable position

Dentist's console of Your GALLANT PRO

It can be equipped with the necessary instruments, located in a place where you intuitively expect to find them.

The optimal weight of the instruments and the flexibility of hoses will ensure comfortable operation during the entire treatment process, as well as minimize fatigue on the wrists during long-term treatment.

With GALLANT PRO everything you need is at your fingertips.



Modern design of dentist console with upper delivery of hoses including:

- individually selected 5 instruments;
- lightweight construction;
- fixation in the right place with a pneumatic brake;
- control panels of instruments and the patient chair.



Modern design of dentist console with lower delivery of hoses including:

- individually selected 5 instruments;
- lightweight construction;
- instrument and chair control panels;
- adjustment of an angle of inclination of instruments;
- convenient adjustment of the amount of water for cooling of equipment.



Effective teamwork with PRO

Assistant's console of your GALLANT PRO:

- provides placement of 4 instruments and independent work of salivary and vacuum cleaner;
- horizontal movement of the assistant block allows to place instruments in a convenient position.



Assistant's console
for 4 instruments

GALLANT PRO

For professionals in dentistry

The dental unit Gallant Pro is equipped with a high-frequency X-ray machine with microprocessor control and sensor remote control device.





Convenient ceramic cuspidor is easily removed for cleaning and autoclaving

A trusted hygiene system

Cuspidor unit GALLANT PRO – easy access, fast and safe service by medical staff and service personnel.
The cuspidor unit with a smooth surface is easy to clean, and for service it is enough to remove only one cover on clamps.



Ceramic cuspidor – resistant to disinfection

Provides ergonomic and comfortable access to the assistant and optimal comfort for the patient.
Equipped with flushing and electronically controlled glass filling.



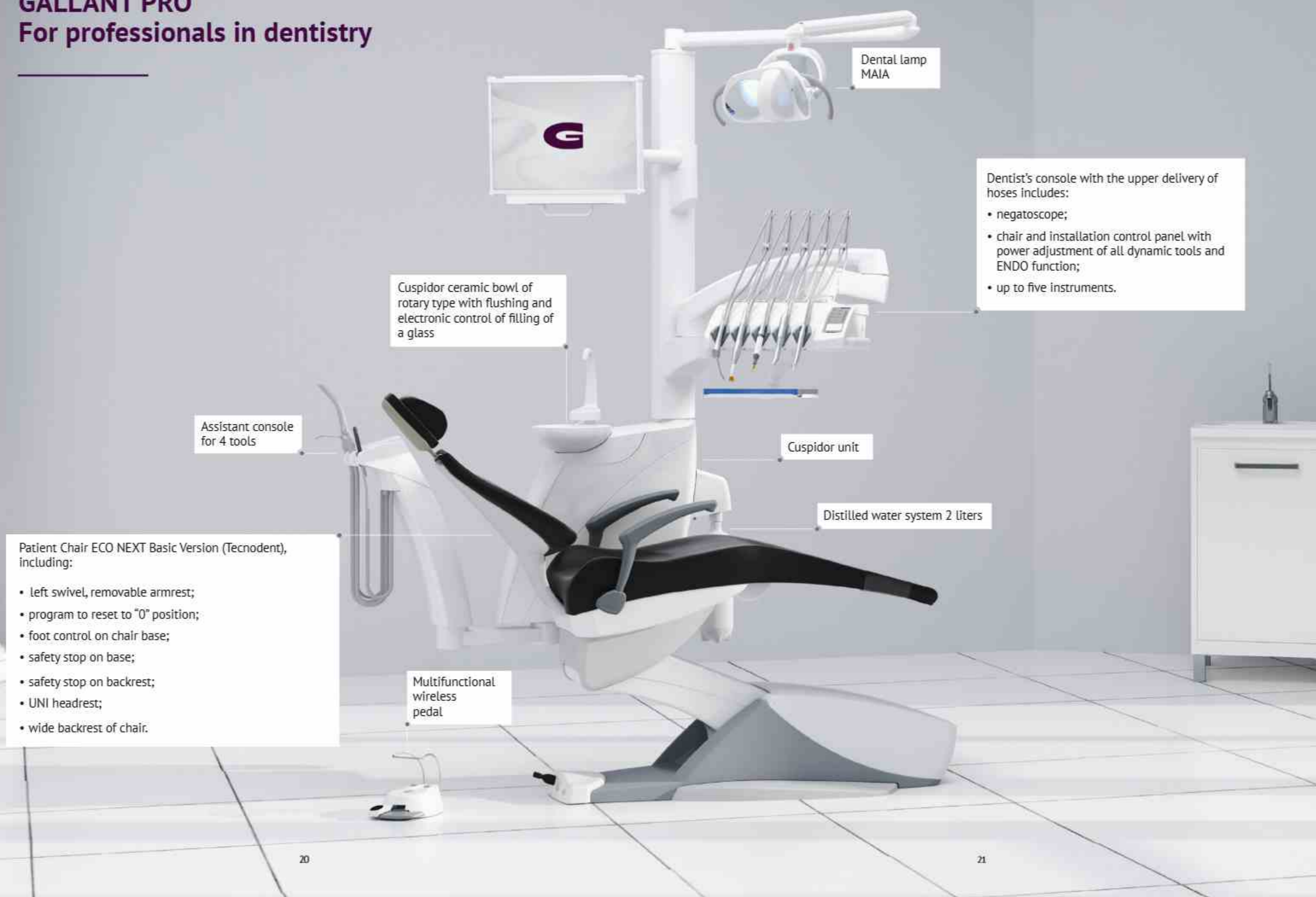
Distilled Water System

Bottle of clean water system, volume 2 liters.
Design of the bottle minimizes the risk of cross-contamination, and with a bayonet connection – the filling of the bottle becomes even faster.



GALLANT PRO

For professionals in dentistry



Dental lamp
MAIA

Dentist's console with the upper delivery of hoses includes:

- negatoscope;
- chair and installation control panel with power adjustment of all dynamic tools and ENDO function;
- up to five instruments.

Cuspidor ceramic bowl of rotary type with flushing and electronic control of filling of a glass

Assistant console for 4 tools

Cuspidor unit

Distilled water system 2 liters

Patient Chair ECO NEXT Basic Version (Tecnodent), including:

- left swivel, removable armrest;
- program to reset to "0" position;
- foot control on chair base;
- safety stop on base;
- safety stop on backrest;
- UNI headrest;
- wide backrest of chair.

Multifunctional wireless pedal

Options

GALLANT PRO dental unit

Stationary cuspidor unit, including:

- Cuspidor ceramic bowl of rotary type with rinsing and cup filling electronic control
- Distilled water system 2 L (switchable with city water)

Dentist console type:

Modern design dentist console with upper /lower delivery of hoses, including:

- Electronic regulation of spray
- Rotary arm with pneumatic brake
- Control panel to control chair and unit operation, with adjustment of all dynamic instruments power
- Two hands for adjustment dentist console position

Standard design dentist console with upper/lower delivery of hoses

- Control panels to control chair and unit operation, with adjustment of all dynamic instruments power
- Negatoscope

Dentist console instruments:

- Pneumatic line without lighting
- Pneumatic line with lighting
- OPTIMA MX2 int (40 programs) micromotor
- Second OPTIMA MX2 micromotor
- MX2 LED micromotor
- Second MX2 LED micromotor
- MCX LED (1000-40.000 rpm) micromotor
- Second MCX LED (1000-40.000 rpm) micromotor
- Xinet scaler without light with 3 tips
- FS-433 E-1 Piezon built-in kit (EMS)
- FS-367 Kit Piezon LED No Pain (EMS)
- Newtron F55235 Scaler with LED with 3 tips
- Mini LED curing lamp for incorporation
- MINIMATE 3 way syringe
- MC3FP (MYTRONIC) 3 way syringe
- MINIBRIGHT LED 6 way syringe

Additional options for dentist console:

- Big table with silicone mat
- Heater for water for dental instruments
- Flushing function for hoses of doctor instruments and electronic spray adjustment function

Foot control:

- Multifunctional foot control FARO
- Multifunctional foot control FARO wireless

Separation system options:

- CAS1 separator Dürr Dental
- CS1 separator Dürr Dental
- Cuspidor valve Dürr Dental

Patient chair type

ECO NEXT patient chair (Tecnodent), including:

- completely electromechanical lifting and movements of backrest
- program to reset to "0" position
- foot control on chair base
- safety stop on base
- safety stop on backrest
- wide backrest of chair
- UNI headrest

ECO NEXT patient chair options:

- Left rotary detachable armrest
- Right rotary detachable armrest
- Magnetic pillow for flat headrest
- Trendelenburg Function (simultaneous lifting of legs by 15 degrees while lowering chair backrest by 90 degrees)
- Replacing the armchair upholstery on SOFT FORM
- Additional three programs for chair
- Seat matt
- Narrow backrest of chair (only for ECO NEXT)

2009NEXT patient chair (Tecnodent), including:

- dental chair equipped with completely electromechanical lifting and backrest tilt, securities on base, pantograph and backrest, motor cover with integrated compact utility-box, low voltage (5V) joystick controls, footrest plastic protection, complete packing
- standard Ral color painting 9003
- large backrest type «a cucchiaio»
- multi-articul, headrest type «UNI TAPPEZZATO».

2009NEXT patient chair options:

- Left rotary detachable armrest
- Right rotary detachable armrest
- Magnetic pillow for flat headrest
- Replacing the armchair upholstery on SOFT FORM
- Additional three programs for chair
- Seat matt

LINDA NEXT patient chair (Tecnodent), including:

- power supply 230V
- standard Ral 9003
- seamless moulded upholstery
- joystick control
- synchronized legrest movement; anti-crushing securities
- automatic extensible PU foot section
- 3 motors - 5 preset programs + 9 programmable positions
- UNI headrest

LINDA NEXT patient chair options:

- Left rotary detachable armrest
- Right rotary detachable armrest
- Magnetic pillow for flat headrest
- Replacing the armchair upholstery on SOFT FORM
- Seat matt

Assistant console options:

- assistant console DÜRR DENTAL with control panel, big and small suction hoses

Assistant console instruments:

- DCI 3 way syringe
- MINIMATE 3 way syringe
- Mini LED curing lamp for incorporation

Dental light options:

- FARO MAIA dental LED light
- FARO ALYA dental LED light
- FARO EVA dental LED light

Options for cuspidor unit:

- Monitor attachment rotary arm
- Napkin holder
- Water heater for cuspidor cup filler
- On-floor plate for attachment of dental unit and chair
- Exclude cuspidor bowl

For safety and comfort:

- Central valve of air shutdown
- Central valve of water shutdown
- Soda separator GF 1 for CS 1 DÜRR DENTAL
- Device for flushing Vario DÜRR DENTAL

For safety and comfort:

- Communication supply system under the chair
- Communication supply system under the cuspidor unit (only for stationary dental unit)
- Communication supply system near the dental unit (including distribution box)

Additional equipment (only for stationary dental unit):

- X-Ray
- LABOMED microscope



Dental light

MAIA LED



EVA LED



Special three-dimensional system rotation

| | | |
|-------------------|--------------------------|--------------------------|
| Light temperature | 5 000 K | 5 000 K |
| Luminous flux | from 3 000 to 35 000 LUX | from 3 000 to 50 000 LUX |
| Shadowless effect | 9*6 mm ellipse | 10*6 mm ellipse |

Dental lamps FARO:

- Optimally illuminated work surface;
- Patented optical system FARO;
- Removable handles for sterilization;
- New electronic equipment of FARO lamps ensures compatibility with video recording systems and diagnostic tools.

Foot control



Multifunction pedal:

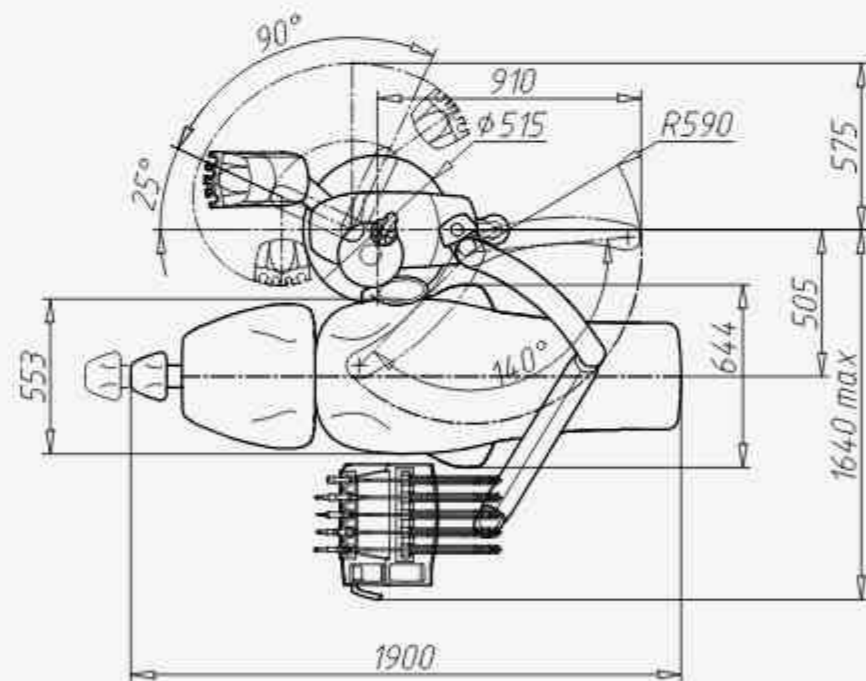
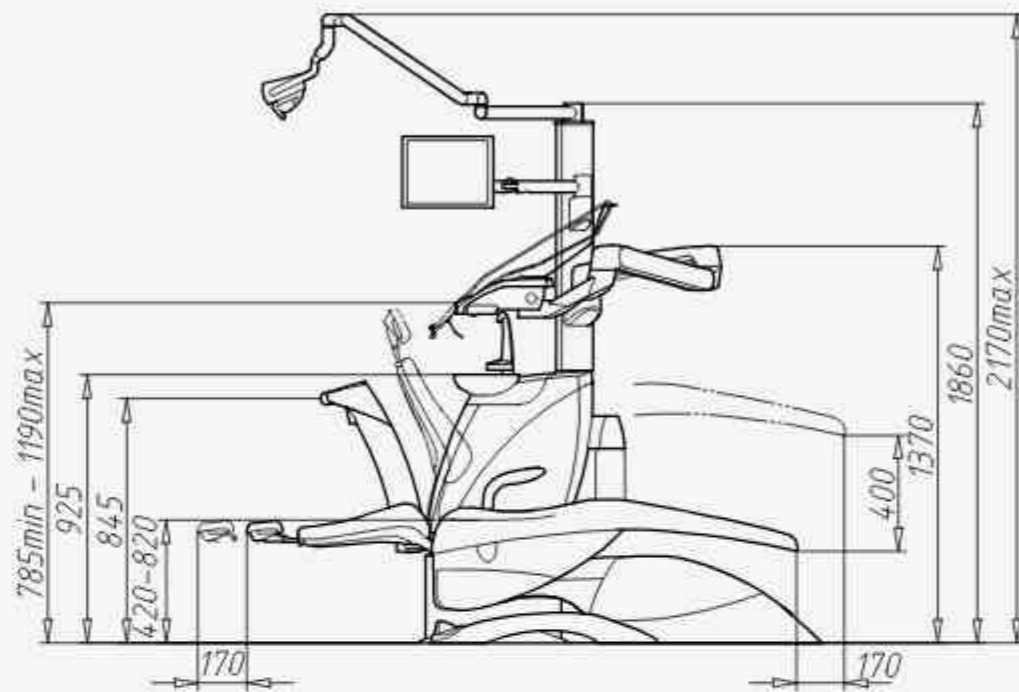
- switching on/off of dental instruments;
- switching on/off of spray and purge for dental instruments;
- speed/power adjustment of dental instruments.



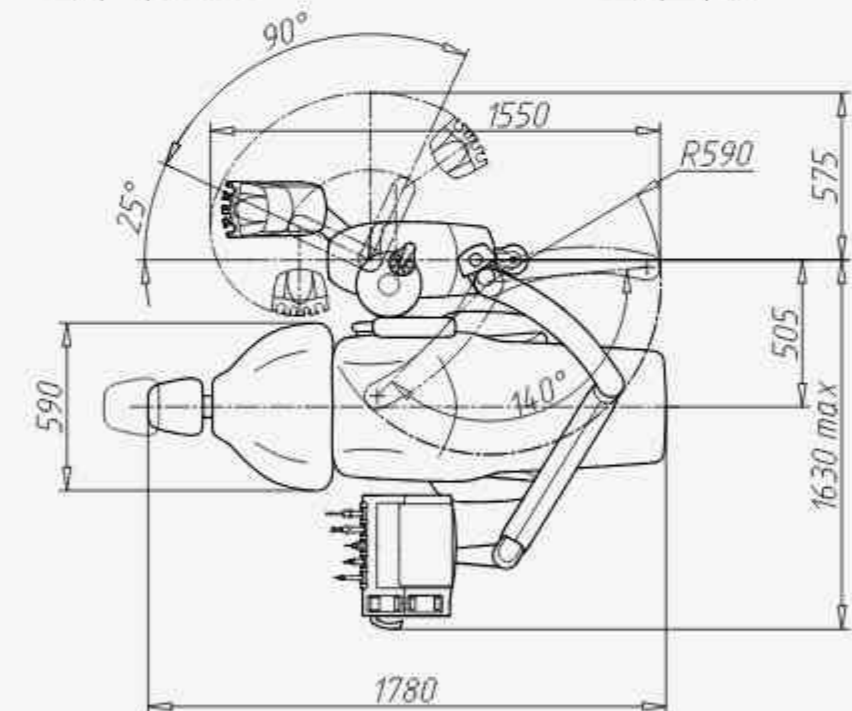
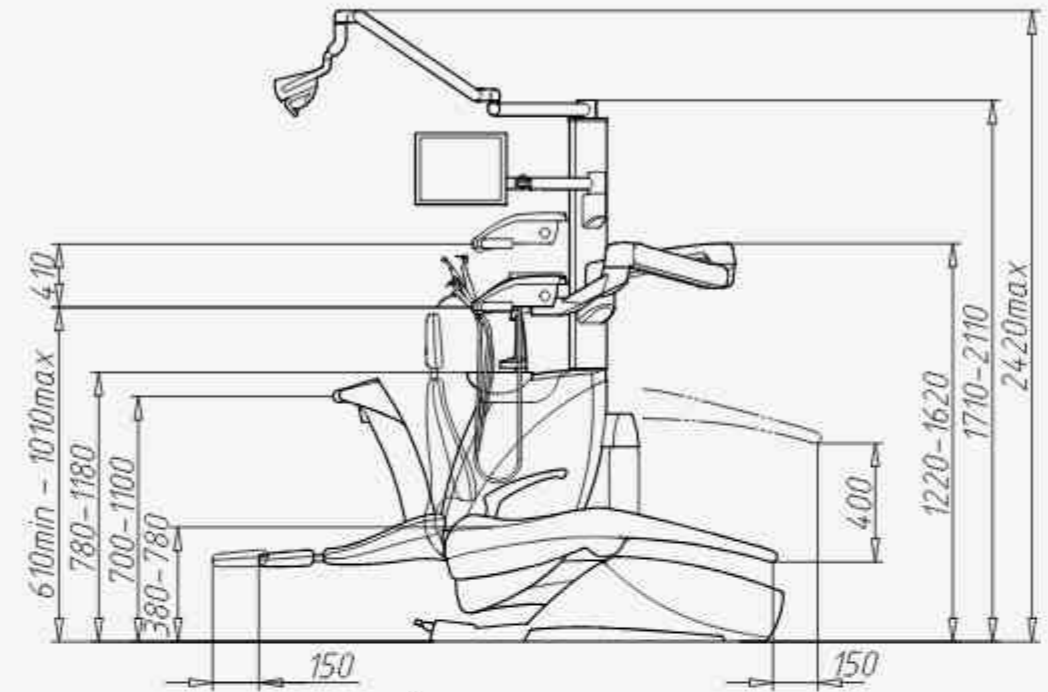
Wireless multifunction pedal:

- switching on/off of dental instruments;
- switching on/off of spray and purge for dental instruments;
- speed/power adjustment of dental instruments.

Overall dimensions of installation



Overall dimensions of the suspended dental installation GALLANT PRO with the upper delivery of hoses and the patient chair STING.



Overall dimensions of the suspended dental unit GALLANT PRO with the lower delivery of hoses and the patient chair ECO NEXT.



GALIT

Manufacturer

TECH DENT

The logo for Tech Dent features the words 'TECH DENT' in a red, serif font. Below the text is a blue and white wavy graphic that resembles a stylized wave or a ribbon. To the right of the wave are three green circles of varying sizes, arranged in a cluster.

Calle Almansa, 22

03206 Elche (Alicante)

Telf: **966 61 12 12**

E-mail: **info@techdent.es**

web: **techdent.es**

